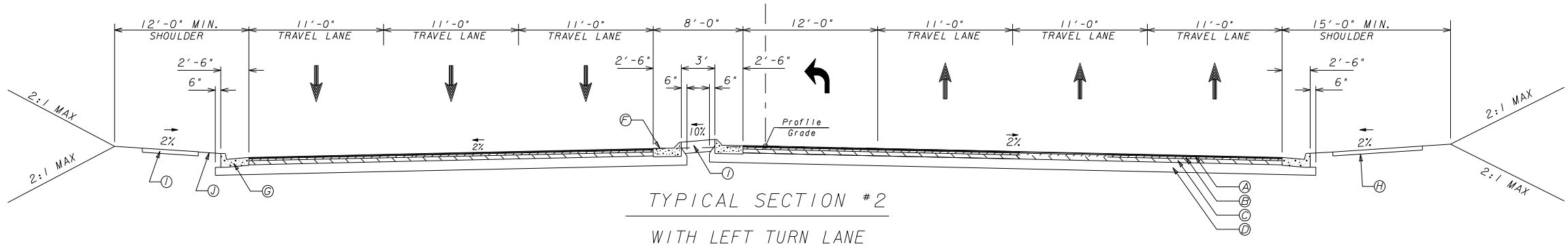
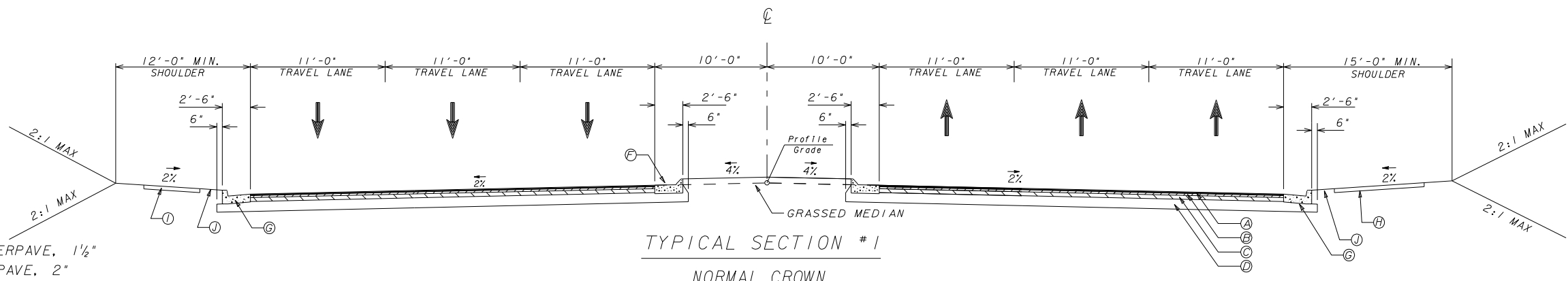


TYPICAL SECTION #3
SUPER ELEVATED SECTION
S.R. 92



TYPICAL SECTION #2
WITH LEFT TURN LANE
S.R. 92



TYPICAL SECTION #1
NORMAL CROWN
S.R. 92

- REQUIRED PAVEMENT
- (A) ASPHALTIC CONCRETE 12.5mm SUPERPAVE, 1 1/2"
 - (B) ASPHALTIC CONCRETE 19mm SUPERPAVE, 2"
 - (C) ASPHALTIC CONCRETE 25mm SUPERPAVE, 4"
 - (D) GRADED AGGREGATE BASE, 10"
 - (E) 8"X30" CONC. CURB & GUTTER, GA. STD. 9032 B. TYPE 7
 - (G) 8"X30" CONC. CURB & GUTTER, GA. STD. 9032 B. TYPE 2
 - (H) 4" x 10' ASPHALT MULTI USE TRAIL
 - (I) 4" x 5' CONC. SIDEWALK, GA. STD. 9031 W
 - (J) 4" CONCRETE MEDIAN PAVING
 - (K) TWO-FOOT BEAUTY STRIP (STAMPED CONCRETE, BRICK PATTERN, COLOR RED)

CROY ENGINEERING
Engineers
Planners
Surveyors

200 NORTH COBB PARKWAY, BLDG. 400, SUITE 413
MARIETTA, GA 30062
PHONE: (770) 971-5407 FAX: (770) 971-0620

NOT TO SCALE

REVISION DATES	

STATE OF GEORGIA
DEPARTMENT OF TRANSPORTATION
OFFICE: URBAN DESIGN
TYPICAL SECTIONS

SR 92 REALIGNMENT
DOUGLASVILLE

DRAWING No.
5-01