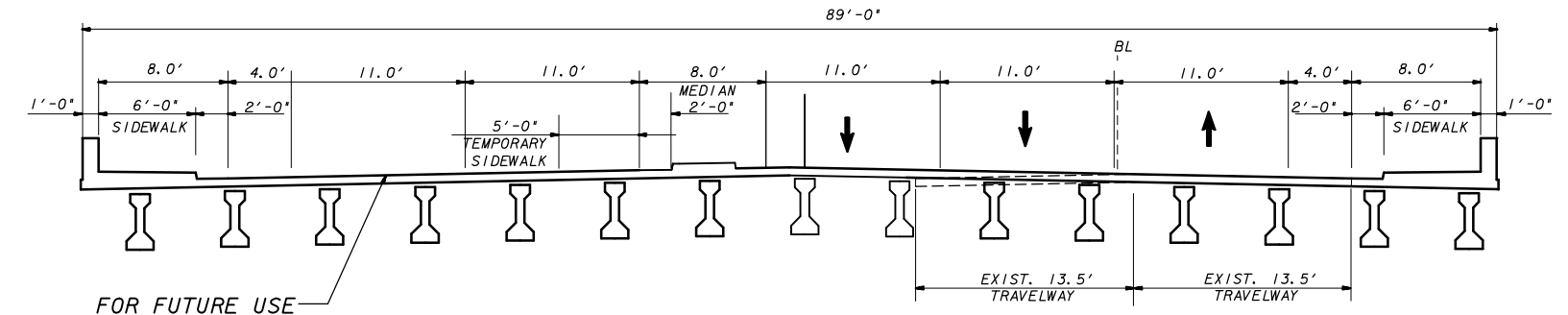
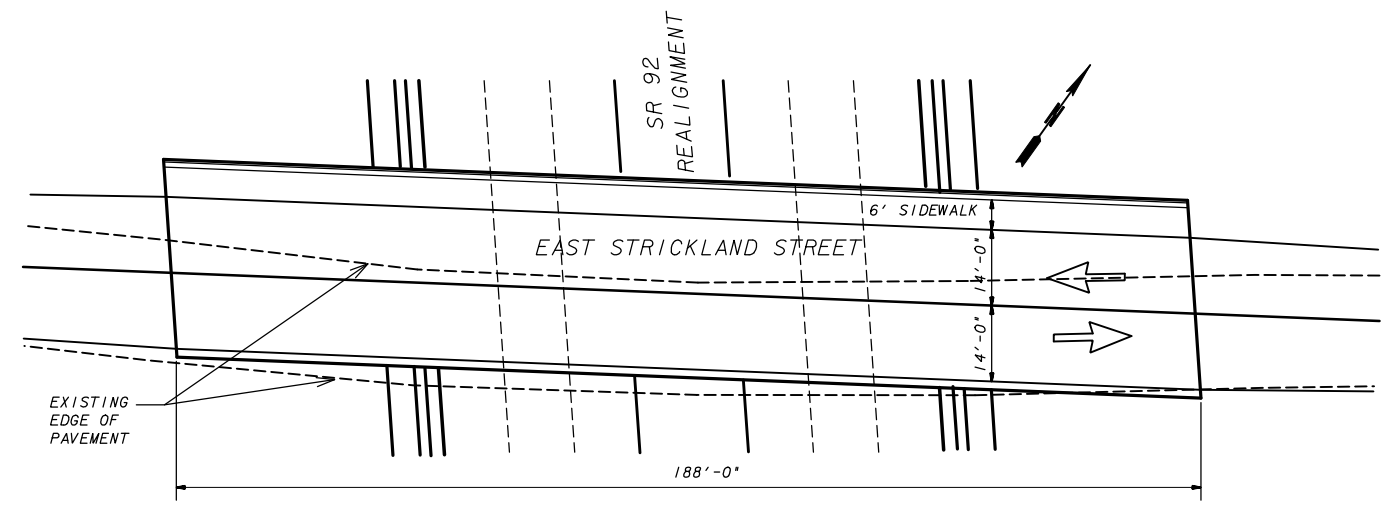


BRIDGE  
TYPICAL SECTION  
EAST STRICKLAND STREET  
OVER SR92 REALIGNMENT

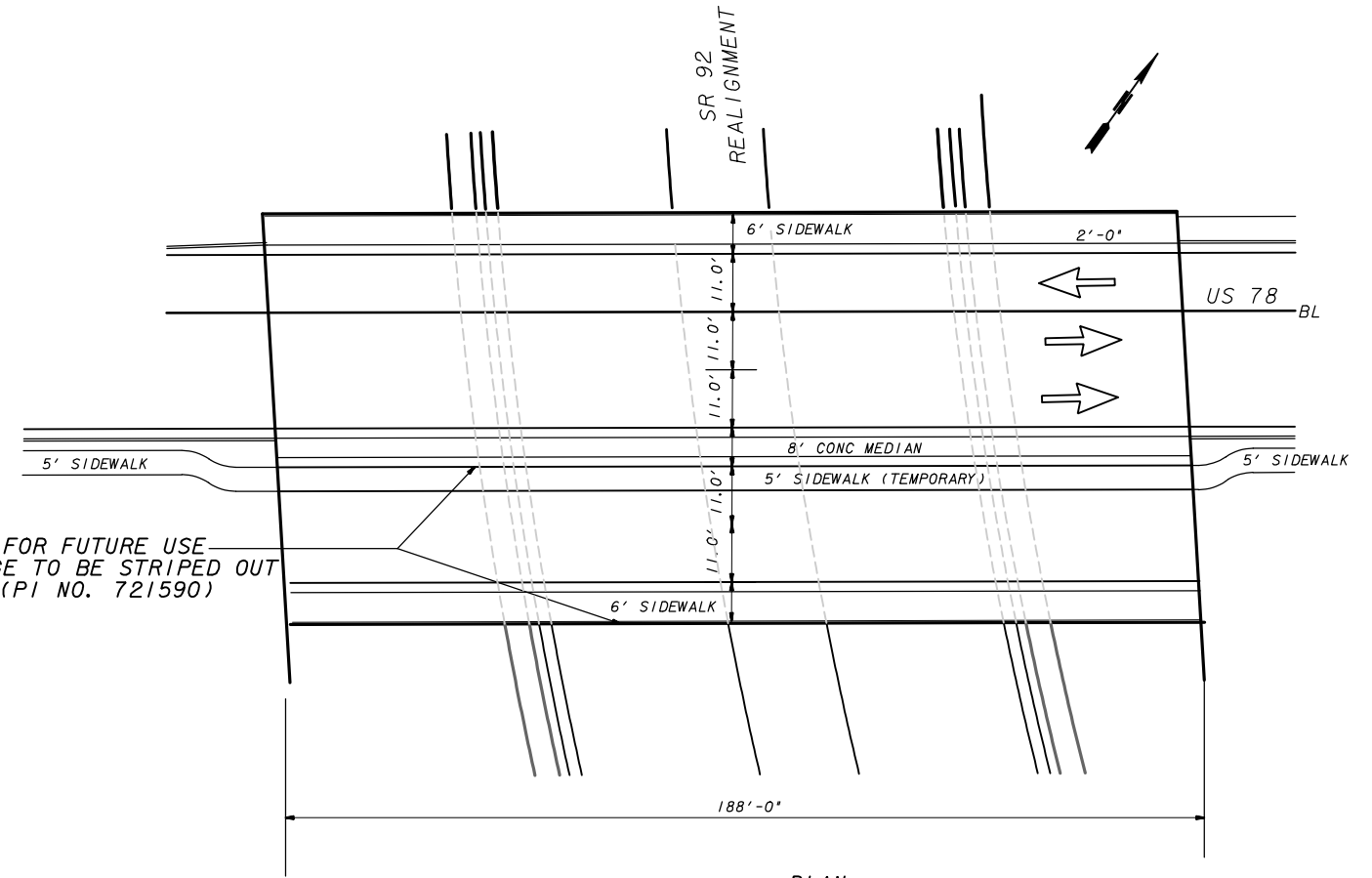


FOR FUTURE USE  
BRIDGE TO BE STRIPED OUT  
(PI NO. 721590)

BRIDGE  
TYPICAL SECTION  
EAST BROAD STREET  
OVER SR 92 REALIGNMENT



PLAN  
EAST STRICKLAND STREET OVER SR 92 REALIGNMENT



FOR FUTURE USE  
BRIDGE TO BE STRIPED OUT  
(PI NO. 721590)

PLAN  
EAST BROAD STREET  
BRIDGE OVER SR 92 REALIGNMENT

**CROY ENGINEERING**  
Engineers  
Planners  
Surveyors

200 NORTH COBB PARKWAY, BLDG. 400, SUITE 413  
MARIETTA, GA 30062  
PHONE: (770) 971-5407 FAX: (770) 971-0620

NOT TO SCALE

REVISION DATES	

STATE OF GEORGIA  
DEPARTMENT OF TRANSPORTATION  
OFFICE:  
BRIDGE PLANS AND  
TYPICAL SECTIONS  
SR 92 REALIGNMENT

DRAWING No.  
**5-03**